

**SAW Components  
Resonator**

**R2632  
433.92 MHz**

**Preliminary Data**

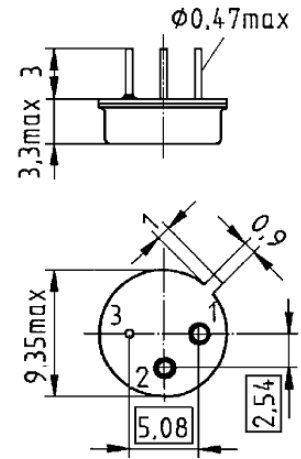
**Features**

- 2 - port resonator

**Terminals**

- NiFeCo, gold plated

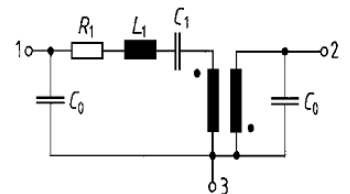
Metal package TO39



Dimensions in mm, approx. weight 1.0 g

**Pin configuration**

- 1 Input 1
- 2 Input 2
- 3 Ground



Type	Ordering code	Marking
R2632	B39431-R2632-B110	Type, date code

**Maximum ratings**

Ambient temperature	$T_A$	-45/+85	°C	-
Storage temperature	$T_{stg}$	-45/+85	°C	-
DC voltage	$V_{DC}$	12	V	between any terminals
AC voltage	$V_{pp}$	12	V	between any terminals
Power dissipation	$P_{max}$	0	dBm	

Electrostatic Sensitive Device (ESD)